

### FIXED ATTENUATORS

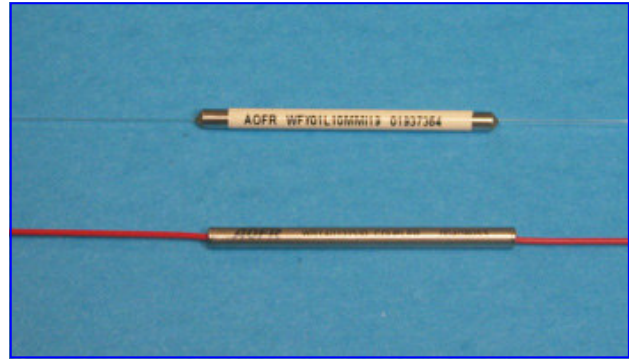
AOFR offers a range of dual window and single window single mode fixed attenuators for applications requiring stable optical power management. A variety of package options are available with or without connectors.

#### FEATURES

- Wideband, C and L band coverage
- Dual and single window options
- Proven FBT reliability
- All fiber construction
- Stable environmental performance

#### APPLICATIONS

- Passive Optical Networks (PONs)
- DWDM systems



### SPECIFICATIONS

Operating Wavelength	Wideband 1260-1580nm		Wavelength Flattened C and/or L Band	
	Minimum Attenuation (dB)	Maximum Attenuation (dB)	Minimum Attenuation (dB)	Maximum Attenuation (dB)
1 dB	0.7	1.3	0.8	1.2
2 dB	1.6	2.4	1.7	2.3
3 dB	2.5	3.5	2.6	3.4
4 dB	3.4	4.6	3.5	4.5
5 dB	4.4	5.6	4.5	5.5
7 dB	6.4	7.6	6.5	7.5
8 dB	7.3	8.7	7.4	8.6
10 dB	9.0	11.0	9.2	10.8
12 dB	11.0	13.0	11.2	12.8
15 dB	13.5	16.5	14.0	16.0
<b>Return Loss/Directivity</b>	>55dB			
<b>Operating Temperature</b>	-40°C to 85°C			
<b>Fiber type</b>	Corning SMF28e (200kpsi)			

#### AOFR Pty Limited

2 Faulding Street  
Symonston ACT  
Australia 2609  
PO Box 7125  
Canberra Business Centre ACT, 2610  
Ph: +61 2 6206 2222  
Fax: +61 2 6280 6393

#### Sales Contacts:

**North & South America** - email: [sales@aofr.com](mailto:sales@aofr.com)

**Europe & Middle East** - email: [sales@aofr.com](mailto:sales@aofr.com)

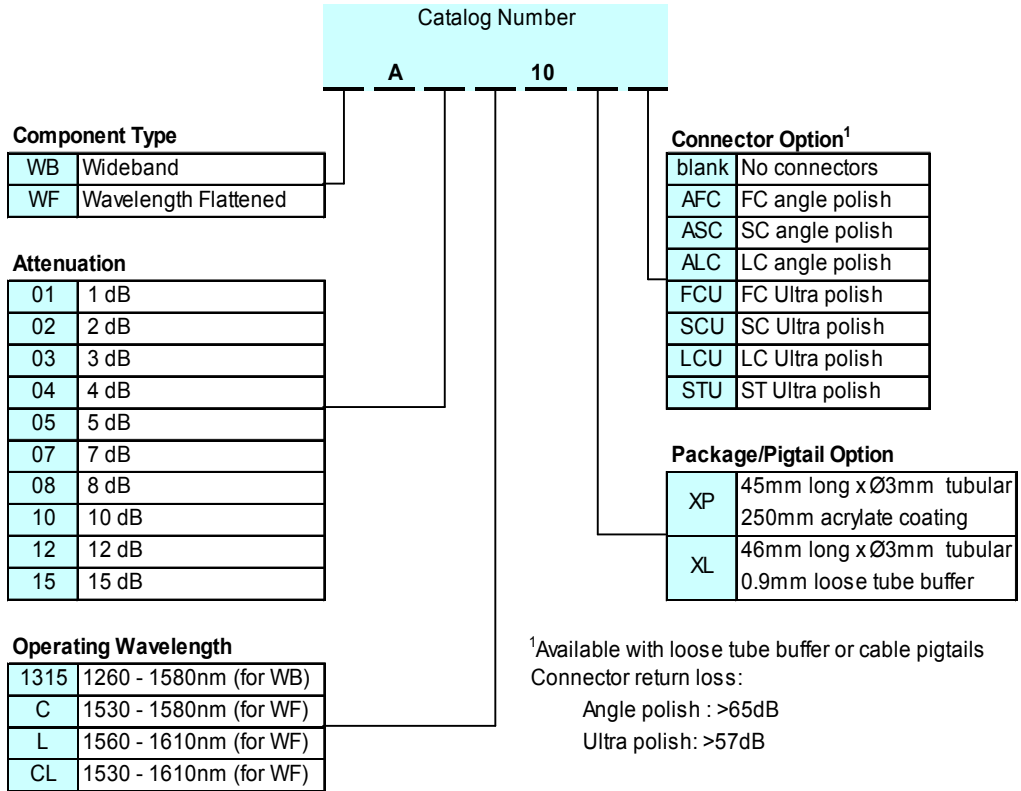
**Japan (Industrial)** - OptoSirius Corp.- Ph: +81 3 5963 6377, Fax: +81 3 5963 6388, email: [aihara@optosirius.co.jp](mailto:aihara@optosirius.co.jp)

**Japan (Telecom)** - Nissho Electronics Corp. - Ph: +81 3 3544 8211, Fax: +81 3 3544 8280. email: [o-devices@nissho-ele.co.jp](mailto:o-devices@nissho-ele.co.jp)

**China** - ComStar Communications Ltd.- Ph: +85-2-2536-9737, Fax: +85-2-2536-9978, email: [hongkong@comstarcom.com](mailto:hongkong@comstarcom.com)

**Australia/New Zealand** - CoverTel - Ph: +61 (0)3 932 83699, Fax: +61 (0)3 932 82644, email: [cliff\\_lever@covertel.com.au](mailto:cliff_lever@covertel.com.au)

### ORDERING INFORMATION



### PACKAGE OUTLINES

