

POLARIZATION MAINTAINING COUPLERS

AOFR offer Polarization Maintaining Couplers (PMC) for a range of applications where the polarization of the signal needs to be maintained after splitting. AOFR's PMC's use proven fused biconic taper (FBT) technology and advanced automated production techniques to give high performance and long term stability and reliability.

FEATURES

- Low insertion loss
- High Extinction ratio
- Compact, all fiber construction
- Extended operating temperature (-40°C to 85°C)
- Stable environmental performance
- Shock and Vibration resistant
- High power handling capability
- Proven FBT reliability



SPECIFICATIONS

Configuration	1x2 or 2x2
Operating Wavelength¹	1550±20nm
Coupling Ratio at center wavelength	5% ± 2% to 50% ± 4%
Coupling Ratio spectral variation²	0.4% per nm
Excess Loss	<0.35dB
Polarization Extinction Ratio	>20dB
Return Loss/Directivity	>55dB
Operating Temperature	-40°C to 85°C
Fiber Stress Member Geometry	Panda
Fiber (Cladding/Acrylate)	80/170µm
Package	Ø3mm x27mm

¹ Other Operating Wavelengths available on request.

² Wavelength Flattened devices available on request.

AOFR Pty Limited

2 Faulding Street
Symonston ACT
Australia 2609
PO Box 7125
Canberra Business Centre ACT, 2610
Ph:+61 2 6206 2222
Fax: +61 2 6280 6393

Sales Contacts:

North & South America - email: sales@aofr.com

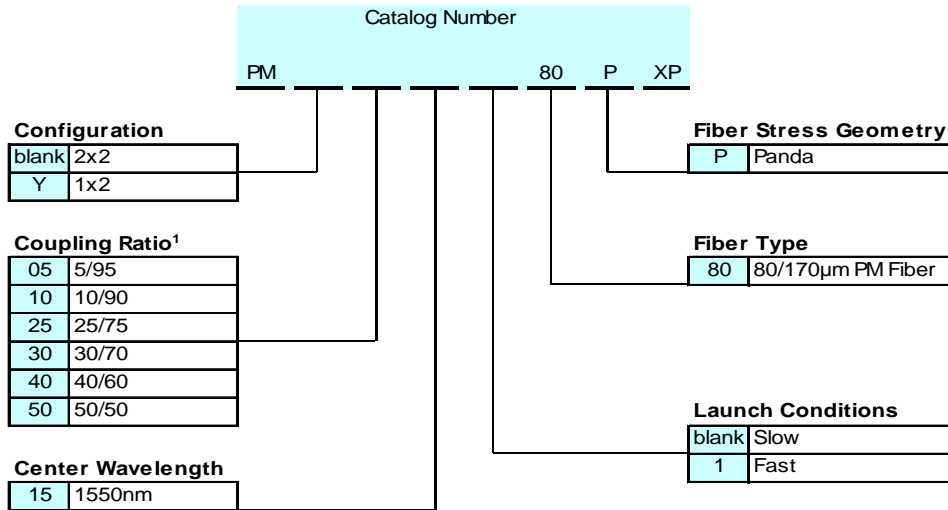
Europe & Middle East - email: sales@aofr.com

Japan - Nissho Electronics Corp. - Ph:+81 3 3544 8211, Fax: +81 3 3544 8280. email:o-devices@nissho-ele.co.jp

China - ComStar Communications Ltd.- Ph: +85-2-2536-9737, Fax: +85-2-2536-9978, email: hongkong@comstarcom.com

Australia/New Zealand - CoverTel - Ph: +61 (0)3 932 83699, Fax: +61 (0)3 932 82644, email: cliff_lever@covertel.com.au

ORDERING INFORMATION



¹ Other Coupling Ratios available on request

PACKAGE OUTLINE

