

### PASSIVE 1x4, 1x8, 1x16, 1x32 and 1x64 PLANAR SPLITTERS

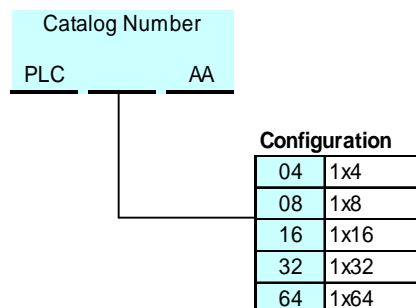
AOFR's Planar splitters specifically designed for FTTX Passive Optical Networks (PON) applications and comply to Telcordia GR-1209-CORE and GR-1221-CORE specifications. These ultra wide band devices have low insertion loss, tight uniformity and low PDL over the entire 1260nm to 1600nm wavelength range. Their small size is ideally suited for outside plant splice enclosures in PON applications where single point, large port count splitting is desired.



### SPECIFICATIONS

Configuration	1x4	1x8	1x16	1x32	1x64
Operating Wavelength	1260 - 1600nm				
Operating Temperature	-40°C to 85°C				
Maximum Insertion Loss	6.7dB	9.8dB	13.0dB	16.3dB	20.4dB
Maximum Uniformity	0.6dB	0.6dB	1.0dB	1.0dB	2.0dB
Maximum PDL	0.1dB		0.15dB		0.4dB
Minimum Return Loss	55dB				
Minimum Directivity	55dB				
Fiber type	Corning SMF-28e equivalent bend insensitive				
Input Pigtail	250µm acrylate				
Output Pigtails	1x4 fiber ribbon	2x4 fiber ribbon	2x8 fiber ribbon	4x8 fiber ribbon	8x8 fiber ribbon
Package size (HxWxL)	4x4x40mm		4x5x50mm	4x7x50mm	4x15x75
Pigtail length	2,000 +200/-0 mm				

### ORDERING INFORMATION



#### AOFR Pty Limited

2 Faulding Street  
Symonston ACT  
Australia 2609  
PO Box 7125  
Canberra Business Centre ACT, 2610  
Ph: +61 2 6206 2222  
Fax: +61 2 6280 6393

#### Sales Contacts:

**North & South America** - email: [sales@aofr.com](mailto:sales@aofr.com)

**Europe & Middle East** - email: [sales@aofr.com](mailto:sales@aofr.com)

**Japan** - Nissho Electronics Corp. - Ph: +81 3 3544 8211, Fax: +81 3 3544 8280. email: [o-devices@nissho-ele.co.jp](mailto:o-devices@nissho-ele.co.jp)

**China** - ComStar Communications Ltd. - Ph: +85-2-2536-9737, Fax: +85-2-2536-9978, email: [hongkong@comstarcom.com](mailto:hongkong@comstarcom.com)

**Australia/New Zealand** - CoverTel - Ph: +61 (0)3 932 83699, Fax: +61 (0)3 932 82644, email: [cliff\\_lever@covertel.com.au](mailto:cliff_lever@covertel.com.au)