

MONOLITHIC 1X4 SPLITTERS

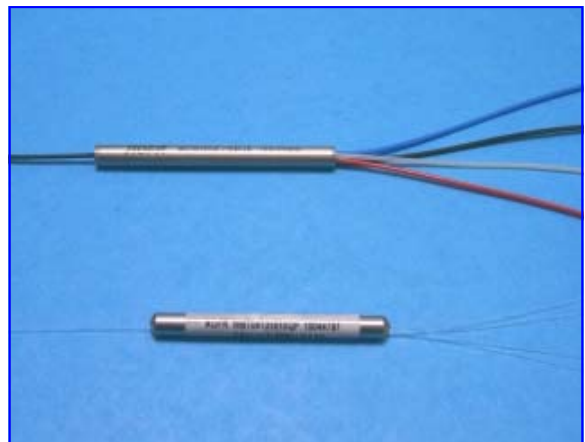
AOFR's single mode monolithic 1x4 passive optical couplers are manufactured using AOFR's proven fused biconic taper process, resulting in a very compact, highly reliable, cost competitive device that complies with Telcordia specifications for fiber optic branching components. The dual-window devices are ideal for use in video distribution networks and FITL networks operating from 1260nm to 1625nm. AOFR's unique manufacturing process allows true wideband operation with no water absorption peak at 1383nm. Both dual window (wideband) and single window (wavelength flattened) versions are available including optimized C-Band performance.

FEATURES

- Compact packaging
- Dual or single window operation
- Completely passive operation
- Proven high reliability
- Low insertion loss
- Low PDL
- No water absorption peak at 1383nm

BENEFITS

- Dual and Single window operation.
- 4mm diameter x 50 mm long tubular package
- Manufactured to Telcordia 1209 and 1221 guidelines



SPECIFICATIONS

Configuration	1x4		
	Wideband 1260-1580nm	Wavelength Flattened 1260-1360 or 1430-1580nm	C Band 1530-1580nm
Operating Wavelength			
Maximum Insertion Loss (dB)	7.3	7.1	6.6
Typical Insertion Loss (dB)	6.2		
Return Loss/Directivity	>55dB		
Operating Temperature	-40°C to 85°C		
Fiber type	Corning SMF28e Photonic (200kpsi)		

AOFR Pty Limited

2 Faulding Street
Symonston ACT
Australia 2609
PO Box 7125
Canberra Business Centre ACT, 2610
Ph:+61 2 6206 2222
Fax: +61 2 6280 6393

Sales Contacts:

North & South America - email: sales@aofr.com

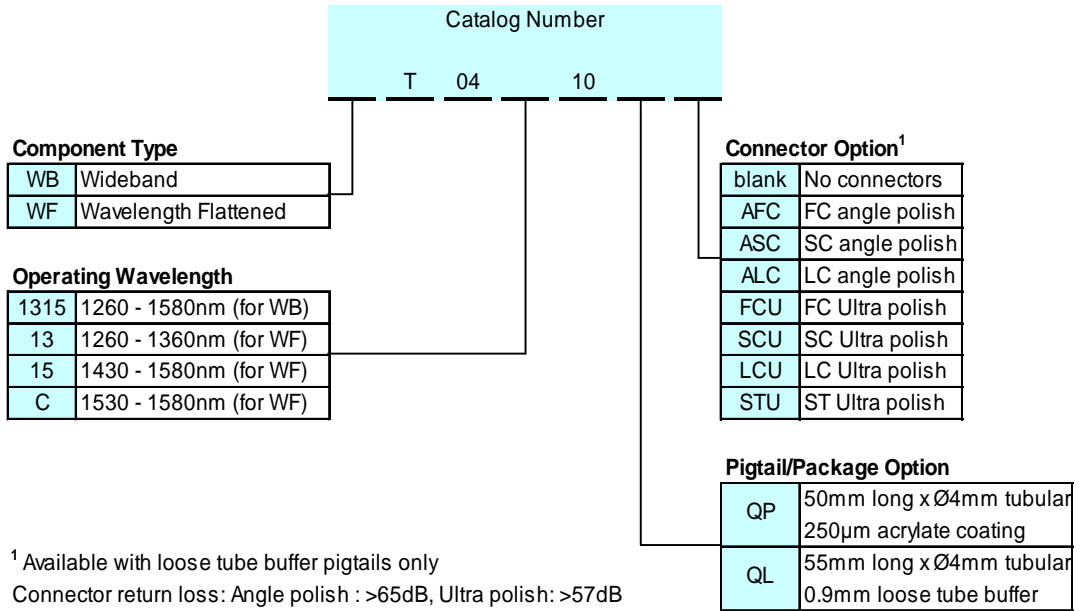
Europe & Middle East - email: sales@aofr.com

Japan - Nissho Electronics Corp. - Ph:+81 3 3544 8211, Fax: +81 3 3544 8280. email:o-devices@nissho-ele.co.jp

China - ComStar Communications Ltd.- Ph: +85-2-2536-9737, Fax: +85-2-2536-9978, email: hongkong@comstarcom.com

Australia/New Zealand - CoverTel - Ph: +61 (0)3 932 83699, Fax: +61 (0)3 932 82644, email: john@covertel.com.au

ORDERING INFORMATION



PACKAGE OUTLINES

