

FO-2 FIBER ORGANIZER

The AOFR Fiber Organizer Package type FO-2 provides storage for couplers, splices and excess fiber without violating minimum fiber bend radius specifications. Eight breakouts are located on each end for cable ingress/egress. The cover breakouts align with the cable ingress/egress channels on the base structure. Tabs, located around the periphery of the base structure, help retain stored fiber. All mounting or accessory holes are sealed and the cover/base assembly can be sealed to prevent moisture or contaminants from entering. The FO-2 is designed to fit a wide range of existing closures and splice tray hardware with a range of mounting options.

FEATURES

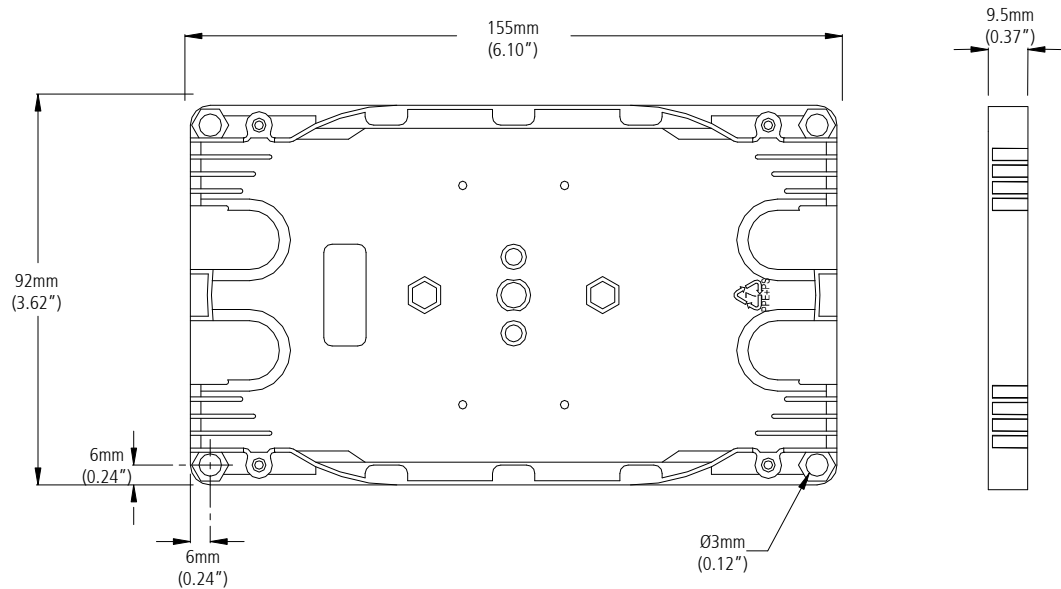
- Meets fiber bend radius specifications
- Entry/exit breakouts for buffer or cable
- UL 94V-0 flame rating
- Operating temperature -40°C to 85°C

APPLICATIONS

- Protected storage for fiber, couplers, splices
- Fiber breakouts
- Fiber networks



ORDERING INFORMATION: Catalog Number : FO-2



Fiber Organizer with Cover removed

AOFR Pty Limited

2 Faulding Street
Symonston ACT
Australia 2609
PO Box 7125
Canberra Business Centre ACT, 2610
Ph: +61 2 6206 2222
Fax: +61 2 6280 6393

Sales Contacts:

North & South America - email: sales@aofr.com

Europe & Middle East - email: sales@aofr.com

Japan (Industrial) - OptoSirius Corp. - Ph: +81 3 5963 6377, Fax: +81 3 5963 6388, email: aihara@optosirius.co.jp

Japan (Telecom) - Nissho Electronics Corp. - Ph: +81 3 3544 8211, Fax: +81 3 3544 8280, email: o-devices@nissho-ele.co.jp

China - ComStar Communications Ltd. - Ph: +85-2-2536-9737, Fax: +85-2-2536-9978, email: hongkong@comstarcom.com

Australia/New Zealand - CoverTel - Ph: +61 (0)3 932 83699, Fax: +61 (0)3 932 82644, email: cliff_lever@covertel.com.au