

FO-1 FIBER ORGANIZER

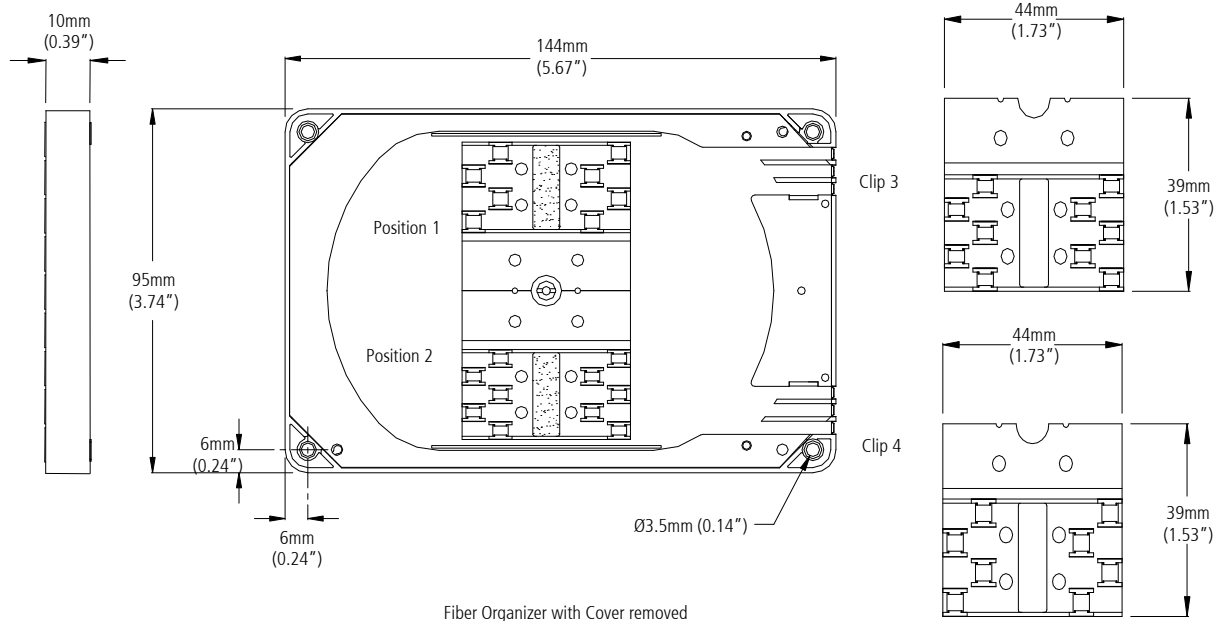
AOFR's Fiber Organizer is a multi-purpose module which provides a protected environment for secure storage of couplers, splices and excess fiber without violating minimum fiber bend radius specifications. The organizer has breakouts for fiber entry and is available with component clips to hold couplers and splices. The organizers are stackable and designed to be compatible in size with a standard Euro-card.

FEATURES

- Meets fiber bend radius specifications
- Entry/exit breakouts for buffer or cable
- Press fit fiber component clips
- Eurocard size compatible
- Strong ABS construction
- Modular design allows stacking

APPLICATIONS

- Protected storage for fiber, couplers, splices
- Fiber breakouts
- Fiber networks



AOFR Pty Limited

2 Faulding Street
Symonston ACT
Australia 2609
PO Box 7125
Canberra Business Centre ACT, 2610
Ph: +61 2 6206 2222
Fax: +61 2 6280 6393

Sales Contacts:

North & South America - email: sales@aofr.com

Europe & Middle East - email: sales@aofr.com

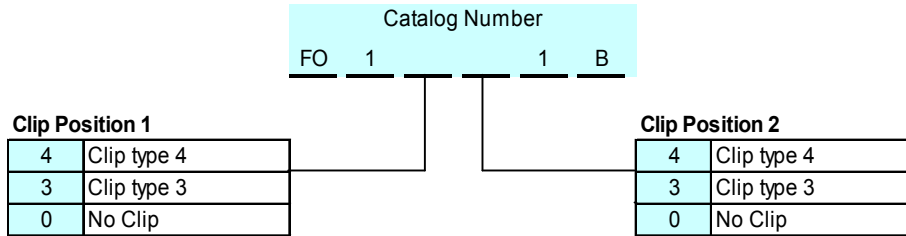
Japan (Industrial) - OptoSirius Corp.- Ph: +81 3 5963 6377, Fax: +81 3 5963 6388, email: aihara@optosirius.co.jp

Japan (Telecom) - Nissho Electronics Corp. - Ph: +81 3 3544 8211, Fax: +81 3 3544 8280. email: o-devices@nissho-ele.co.jp

China - ComStar Communications Ltd.- Ph: +85-2-2536-9737, Fax: +85-2-2536-9978, email: hongkong@comstar.com

Australia/New Zealand - CoverTel - Ph: +61 (0)3 932 83699, Fax: +61 (0)3 932 82644, email: cliff_lever@covertel.com.au

ORDERING INFORMATION: FO-1 ORGANIZER



Clip type 4 - for securing up to 4 items with 4mm nominal diameter and 35mm minimum length
 Clip type 3 - for securing up to 5 items with 3mm nominal diameter and 35mm minimum length

Each organizer module can contain up to 2 clips of the same or different types for securing components
 Organizers are supplied with clips mounted in the positions indicated on the drawing

ORDERING INFORMATION: FIBER COMPONENT CLIPS

