

### PASSIVE 1xN and 2xN SPLITTERS

AOFR's family of 1xN and 2xN optical splitters are pre-structured trees manufactured from AOFR's high performance FBT couplers. Splitters are designed for very low insertion loss and high uniformity, making these devices ideal for use as splitters in Passive Optical Networks (PONs) in Fiber to the Home (FTTH) and Fiber to the Curb (FTTC) architectures. Manufactured to Telcordia 1209 and 1221 guidelines these bidirectional devices are available in both dual window (wideband) and single window (wavelength flattened) versions and because of AOFR's unique manufacturing process, splitters do not exhibit a water absorption peak at 1383nm.

### SPECIFICATIONS

Operating Wavelength	Wideband	Wavelength Flattened
	1260-1580nm	1260-1360nm or 1430-1580nm
Configuration	Maximum Insertion Loss (dB)	Maximum Insertion Loss (dB)
1x3	6.0	5.7
1x4 or 2x4	7.5	7.1
1x5	8.6	8.4
1x6 or 2x6	9.5	9.2
1x7	10.3	10.0
1x8 or 2x8	11.0	10.6
1x9	11.6	11.4
1x10 or 2x10	12.1	11.9
1x11	12.6	12.5
1x12 or 2x12	13.0	12.8
1x13	13.5	13.3
1x14 or 2x14	13.8	13.5
1x15	14.2	14.0
1x16 or 2x16	14.5	14.1
1x17	14.8	14.6
1x18 or 2x18	15.1	15.0
1x19	15.4	15.2
1x20 or 2x20	15.6	15.5
1x21	15.9	15.6
1x22 or 2x22	16.1	15.9
1x23	16.3	16.2
1x24 or 2x24	16.5	16.3
1x25	16.8	16.5
1x26 or 2x26	17.0	16.7
1x27	17.1	17.0
1x28 or 2x28	17.3	17.2
1x29	17.5	17.3
1x30 or 2x30	17.7	17.5
1x31	17.8	17.6
1x32 or 2x32	18.0	17.7
<b>Return Loss/Directivity</b>	>55dB	
<b>Operating Temperature</b>	-40°C to 85°C	
<b>Fiber Type</b>	Corning SMF28e Photonic (200kpsi)	

#### AOFR Pty Limited

2 Faulding Street  
Symonston ACT  
Australia 2609  
PO Box 7125  
Canberra Business Centre ACT, 2610  
Ph:+61 2 6206 2222  
Fax: +61 2 6280 6393

#### Sales Contacts:

**North & South America** - email: [sales@aofr.com](mailto:sales@aofr.com)

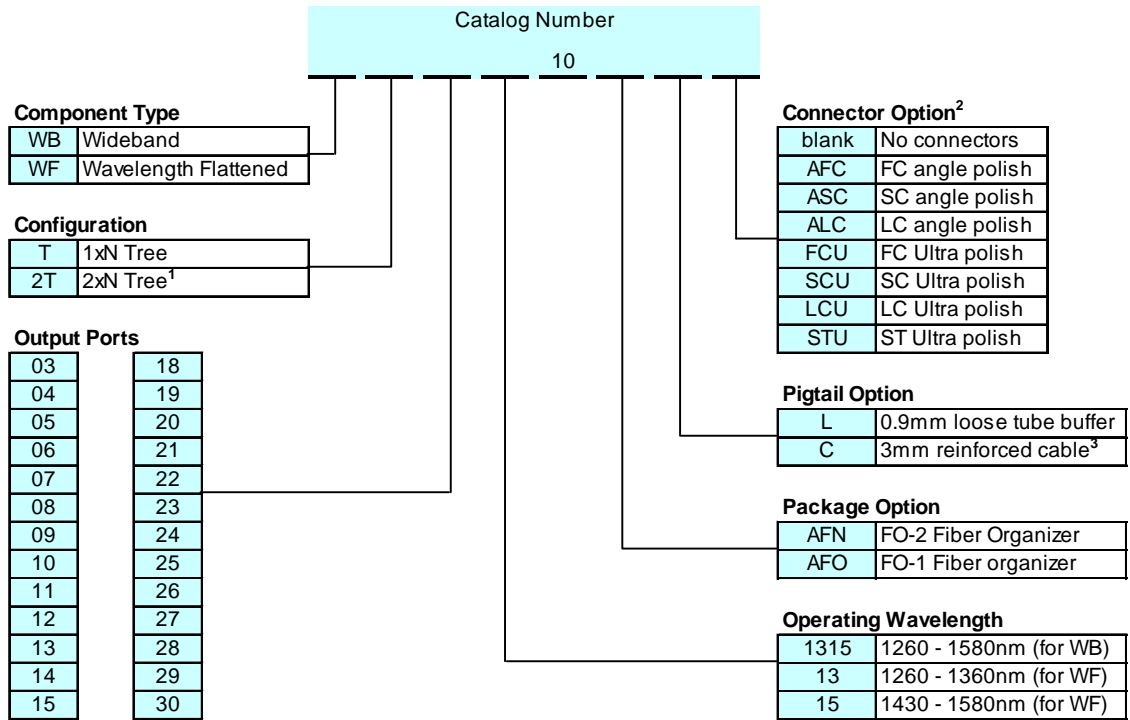
**Europe & Middle East** - email: [sales@aofr.com](mailto:sales@aofr.com)

**Japan** - Nissho Electronics Corp. - Ph:+81 3 3544 8211, Fax: +81 3 3544 8280. email: [o-devices@nissho-ele.co.jp](mailto:o-devices@nissho-ele.co.jp)

**China** - ComStar Communications Ltd.- Ph: +85-2-2536-9737, Fax: +85-2-2536-9978, email: [hongkong@comstarcom.com](mailto:hongkong@comstarcom.com)

**Australia/New Zealand** - CoverTel - Ph: +61 (0)3 932 83699, Fax: +61 (0)3 932 82644, email: [cliff\\_lever@covertel.com.au](mailto:cliff_lever@covertel.com.au)

### ORDERING INFORMATION



<sup>1</sup> 2xN only available with even number of output ports

<sup>2</sup> Available with loose tube buffer or cable pigtails only

Connector return loss: Angle polish : >65dB, Ultra polish: >57dB

<sup>3</sup> Only available for devices up to 1x8 or 2x8

### PACKAGE OUTLINES

